

ASSEMBLY INSTRUCTION



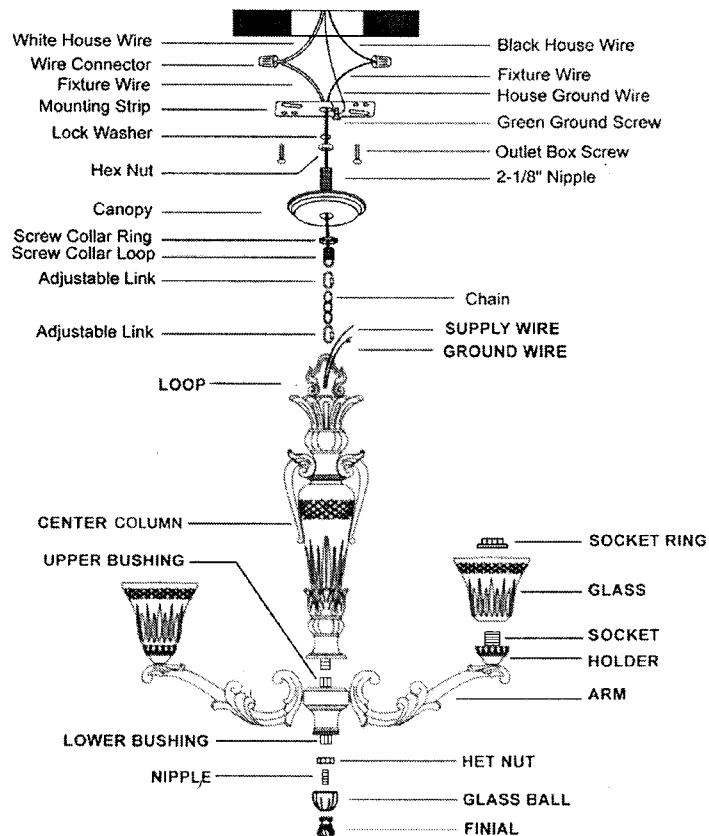
ITEM# 29323

1. Fasten mounting strip onto outlet box using 2 outlet box screws.
2. Thread 2-1/8"nipple into center hole of mounting strip about 4 complete turns . Lock in place with lock washer and hex nut.
This nipple should extend long enough to protrude through the canopy when it is mounted .Adjust as necessary.
3. Thread center column onto upper bushing.
4. Thread nipple into lower bushing and secure with hex nut. Place Glass ball over the nipple and secure by tightening with finial.
5. Tighten the screw collar loop to the nipple on the mounting strip. Place canopy over the 2-1/8"nipple and screw collar loop onto the 2-1/8"nipple, then secure with the ring. Attach adjustable link to screw collar loop and to chain one end, then close the adjustable link. Attach adjustable link to chain at other end and to fixture loop. then close the adjustable link.
6. Weave the fixture wires up through the chain links, through the screw collar loop and through the nipple in the mounting strip. Position the outlet box supply wires and the fixture wires and the fixture wires outside of the outlet box to facilitate connection. After connection (step 7)is complete, carefully position black wires inside outlet box.
7. Connect the wire from the fixture to the power supply wire from outlet box.
 - a) Twist together glossy wire from the fixture with white wire from outlet box. Cover with wire connectors.
 - b) Twist together rough wire from the fixture with black wire from outlet box. Cover with wire connectors.
 - c) Wrap the bare ground wire from the fixture and the outlet box around the green ground screw located on the mounting strip.
 Tighten the green ground screw to the mounting strip.
8. Place the canopy all the way to the ceiling and tighten the ring onto the screw collar loop until the canopy is firmly held against the ceiling.
9. Unscrew socket ring from sockets. Set glasses onto the sockets. Then screw the socket rings onto the sockets.
10. Install bulbs(not included) into the sockets. Do not use greater than 100-watt bulbs.
11. Restore electric power, and test your new fixture.

NOTE: Carefully remove the fixture from the carton. Check that all parts shown in package parts 1 and parts 2 are included.
Be carefully not to misplace any of the screws or wire connectors, which are needed for installing the fixture.

PACKAGE PART

MOUNTING STRIP	1	NUT	1
1/2"HEX NUT	1	NIPPLE	1
CANOPY	1	FINIAL	1
RING	1	GLASS	6
WIRE CONNECTOR	2	GLASS BALL	1
GREEN GROUND SCREW	1		
OUTLET BOX SCREW	2		
2-1/8"NIPPLE	1		
SCREW COLLAR LOOP	1		
CHAIN	1		
LOCK WASHER	1		
ADJUSTABLE LINK	2		



ASSEMBLY AND INSTALLATION

CHANDELLIER

ITEM NO.:

Disconnect power at main fuse box before installing fixture to prevent possible injury from electrical shock.

Remove all parts and parts packages from carton.

In some cases it may be necessary to attach loop (4) to top of fixture assembly (3). Guide fixture wires (5) through hole in loop, then screw loop onto threaded pipe protruding from top of frame.

Attach crossbar (12) to outlet box (9) with outlet box screws (13). Screw threaded nipple (14) into crossbar (12) approximately $\frac{1}{2}$ ".

Connect screw collar loop (16) onto threaded nipple (14). Pass canopy (16) over screw collar loop (15). Approximately one-half of the screw collar loop exterior thread should be exposed. Adjust as required. Remove canopy.

Spread end link of chain (18) and attach it to fixture loop (4). Slip threaded ring (17) onto chain, then canopy (18) onto chain. Attach other end link of chain to screw collar loop (15).

Weave electrical wires and ground wire up chain, through screw collar loop (15) through threaded nipple (14) and into outlet box (9).

Attach bare copper ground wire from outlet box and copper ground wire from fixture under cupped washer (7) and secure with green ground screw (6) onto crossbar (12). Use threaded hole provided.

Splice smooth round fixture wire (5) to black supply wire (8) and ribbed or flat sided fixture wire (5) to white supply wire (10) using wire connectors (11) (not provided).



CAUTION: Be certain no bare wire strands are exposed outside of wire connectors.

Raise canopy (16) to ceiling, hold in place and secure with threaded ring (17) onto screw collar loop (15).

Installation is complete and power may now be reconnected at main fuse box.

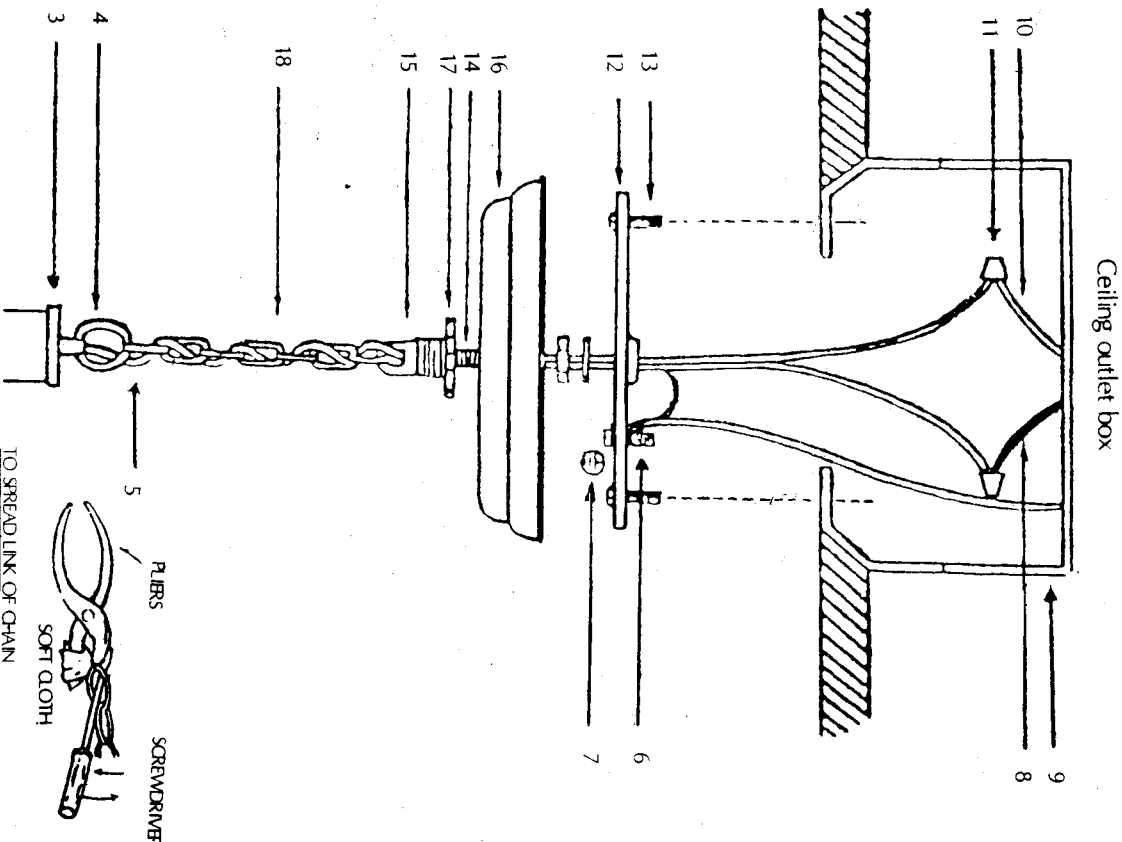


Figure. 1

Use a pair of pliers and a screwdriver as shown above, being careful to wrap jaws of pliers with cloth to protect the finish of the chain.

READ & SAVE THESE INSTRUCTIONS

INSTALLATION & OPERATION INSTRUCTIONS

TOOLS & MATERIALS REQUIRED

- Blade screw driver
- Adjustable wrench
- Step ladder
- Wire cutters
- Wiring supplies as required by electrical code

CAUTION: Before assembling your Lighting fixture, refer to the section titled **ELECTRICAL CONNECTIONS**. If you feel you do not have electrical wiring experience, refer to a do-it-yourself wiring handbook or have your fixture installed by a qualified licensed electrician.

GENERAL

1. To ensure the success of the installation, be sure to read these instructions and review the diagrams thoroughly before beginning.
2. All electrical connections must be in accordance with local codes, ordinances, or the National Electrical Code. If you are unfamiliar with methods of installing electrical wiring, secure the services of a qualified licensed electrician.
3. These fixtures are intended to be mounted to a 4" x 2 1/4" deep metal octagon outlet box. The box must be directly supported by the building structure.
4. Before starting the installation, disconnect the power by turning off the circuit breaker or by removing the fuse at the fuse box. Turning the power off using the light switch is not sufficient to prevent electrical shock.

NOTE: The important safeguards and instructions appearing in this manual are not meant to cover all possible conditions and situations that may occur. It must be understood that common sense, caution, and care are factors which cannot be built into any product. These factors must be supplied by the person(s) caring for and operating the fixture.

UNPACK THE FIXTURE

Check the contents of the box. You should receive:

- Mounting hardware package
- Glass diffusers (not supplied on all models)
- Plastic tip covers (one for each diffuser, not supplied on all models)
- Fixture assembly

PREPARE THE FIXTURE NOTE: FIRST TURN OFF ELECTRICITY ADJUST THE CROSS BAR

Refer to figure 1 for illustration of fixture parts and assembly.

1. If you are replacing an existing fixture, disconnect and remove the old fixture. Expose the supply wiring from the outlet box.
2. Fasten the mounting bracket to the outlet box using the two screws supplied with the outlet box. If the threaded stem is not attached to the mounting bracket, secure the stem with the lockwasher and nut provided.

3. Attach the finial (support loop) to the top part of the fixture. Turn the finial at least 3 complete turns to ensure proper securement.
4. Attach the chain to the finial (support loop) on the top of the fixture. Adjust the chain length by removing one link at a point best suited to the location and required distance from the ceiling. Weave the wires through the chain links. Attach the chain to the top finial loop. Place finial nut and canopy down the fixture chain. Thread the wires up through the finial loop.
5. Raise the fixture to the ceiling and weave the electrical wire through mounting bracket threaded stem. Secure the top finial loop to the threaded stem by screwing loop into stem. Turn the loop at least 3 complete turns to ensure proper mounting. Now you are ready to make electrical connections.
6. Make electrical connections - SEE BELOW.

ELECTRICAL CONNECTIONS

To make electrical connections:

Cut excess wire leaving six inches for electrical connections. Split the wires into two separate leads. Connect the half of the SPT cord that is ribbed surface, to the white wire of the supply circuit. Connect the smooth half of the wire (the half with markings) to the black wire of the supply circuit. Connect the bare copper wire to the grounding conductor of the supply circuit. Use U. L. Listed wire connectors suitable for the size, type and number of conductors. No loose strands or loose connections should be present. Secure wire connectors with U. L. Listed electrical tape.

FINAL ASSEMBLY

1. Spread the electrical splices so that the black wires are on one side of the outlet box and the white wires are on the other side.
2. Raise ceiling canopy and finial nut up to ceiling and secure to finial loop.
3. Make sure the weight of the chandelier is supported by the chain-not the electrical cord. If you install hooks for a swag, they too must engage the chain only. Installation of this type should not be made on a radiant heating type ceiling.
4. Install lightbulbs (not provided).
CAUTION: Refer to the relamping label located near the lampholder, for recommended wattage-do not exceed recommended wattage.
5. Hang glass diffusers. Place plastic tips on ends of diffuser hooks. (Not on all models)
6. Restore electricity and check the operation of your new lighting fixture